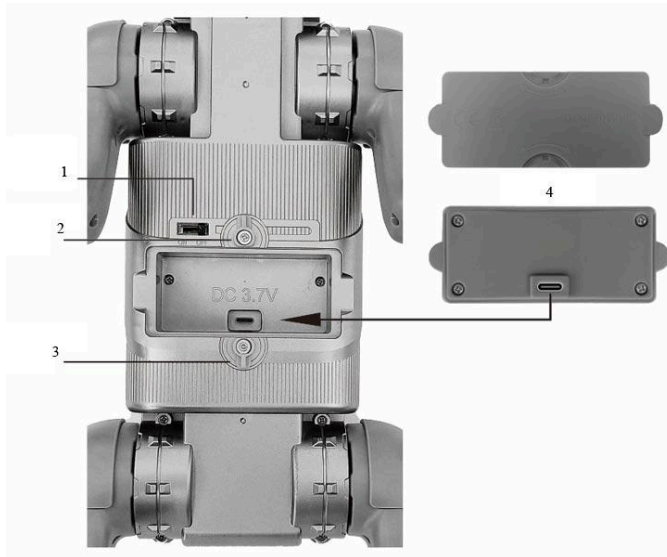


2.4G Smart Interactive Robot Dog with App/Voice Control



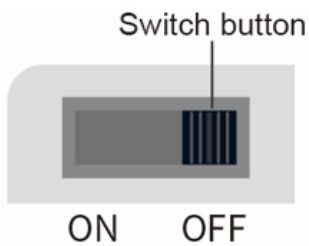
Battery installation instructions



1. Switch button
2. Battery clip
3. Battery clip
4. Battery

Align the interface of the module battery with the internal interface of the robot dog, and insert the module battery horizontally downward into the battery compartment. Rotate the two battery clips to fix the modular battery.

Mode switching instructions



Shutdown mode - Turn the switch button to the right



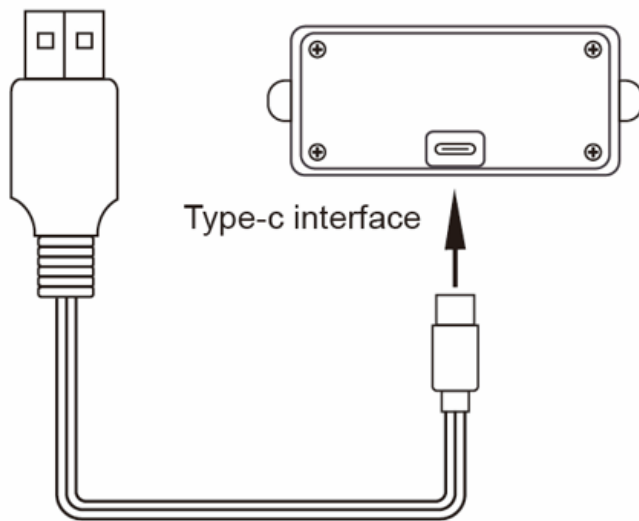
Voice +APP - Turn the switch button to the middle



RC + Voice +APP - Turn the switch button to the left

1. Press the switch button at the bottom to the power position. At this point, the robot dog will give a voice prompt to start up.
2. In voice control mode, you need to call "Lumi, Lumi" each time to wake up the robot dog. After the robot dog responds, say the words and the sentences containing voice commands, and the robot dog will perform the corresponding command actions. During the demonstration of an action, you can call "Stop" to halt the action demonstration.

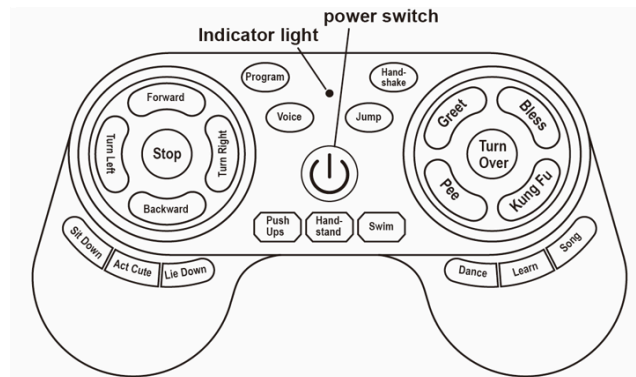
Charging instructions



1. The 3.7V body battery equipped needs to be charged before use.
2. First, insert the charging cable plug into the modular battery interface, and then plug the USB charger into the USB interface to start charging.
3. It takes about 120 minutes to fully charge the battery. During charging, the indicator light remains "red" constantly on. Once fully charged, the indicator light goes off. Please do not overcharge. Charging for too long will not increase the battery level either.
4. Regularly inspect the toys, batteries, charging cables, wires and plugs. If any damage is found, stop using them immediately and do not use them until they are repaired or replaced.

Instructions for remote control buttons

After installing two 1.5 "AAA" batteries in the remote control, briefly press the power button to turn it on. The indicator light on the remote control will be red and flash. At this time, turn on the bottom switch of the battery-equipped robot dog. The indicator light on the remote control will remain on for a long time, indicating that the connection has been successful. If the remote control indicator light is flashing, it indicates that the connection is unsuccessful. Please repeat the above operation. Press the power button briefly again to turn off the device, and the indicator light on the remote control will go out.



The Forward/Backward/Turn left/Turn right buttons can be pressed briefly or long, and the robot dog will make corresponding actions accordingly. Just press the other function keys briefly.

Short press the learning button to switch between different broadcast contents, and short press the song button to switch between different songs.

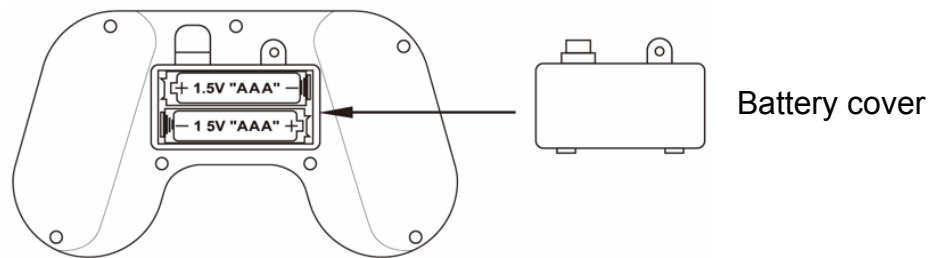
Programming Mode: Briefly press the programming key, and the remote control indicator lights will flash to enter the programming state. Then briefly press the other desired function buttons, and finally briefly press the programming button again to complete the programming action. The robot dog will perform corresponding actions in the order of the clicked function buttons. During the programming mode process, the remote control indicator lights flash twice, and after the action is completed, the remote control indicator lights remain on.

Voice Mode: Briefly press the voice button, and the remote control indicator light will flash rapidly to enter the voice state. The robot dog will prompt you to enter the voice mode. In the voice control mode, you need to call "Lumi, Lumi" each time to wake up the robot dog. After the robot dog responds, say the words containing the voice command, and the robot dog will make the corresponding command action. During the demonstration of an action, you can call "Stop" to halt the action demonstration.

When the robot dog is demonstrating actions, pressing any button on the remote control can stop the action demonstration.

When the robot dog is demonstrating actions, pressing any button on the remote control can stop the action demonstration.

RC battery installation instructions



Two 1.5 AAA batteries (not included)

Open the battery compartment by removing the cover. Insert two 1.5V "AAA" batteries, aligning with the indicated positive (+) and negative (-) terminals.

Close the compartment and tighten the screws.

Precautions for using Lithium batteries

1. When charging, personnel must not leave and the charging time should not be too long. If the battery gets hot during the charging process, stop charging immediately to avoid battery damage or fire, etc.
2. Do not charge the battery near flammable or explosive items. If the battery develops an odd smell or suddenly becomes hot, deformed, discolored or shows other abnormal phenomena during use or charging, stop using it immediately.
3. If the battery leaks, please avoid contact of the liquid with skin and eyes. If it comes into contact with the skin or eyes, rinse immediately with plenty of cold water and seek medical attention promptly.
4. Only the original factory-provided charger can be used to charge the product, and it is necessary to ensure that the voltage of the charger complies with the local standards.
5. Do not place the battery in a fire, microwave oven or pressure tank.
6. Do not clean the product or charger with solvents, industrial alcohol or other flammable solvents.
7. The product is composed of plastic, electronic components and batteries. Please do not treat such items as daily garbage. Please sort and dispose of them in accordance with local garbage recycling requirements.

Battery precautions

1. The robot dog uses a 3.7V rechargeable modular lithium battery, and the remote control uses two 1.5V "AAA" non-rechargeable batteries.
2. The removal and installation of the battery should be carried out correctly in accordance with the polarity and voltage inside the battery box of the robot dog.
3. Rechargeable batteries must be charged under adult supervision.
4. The rechargeable battery must be removed from the robot dog before charging.
5. Different types of batteries or new and old batteries in the remote control must not be mixed.
6. Modular batteries must be the original factory-configured batteries and charged with the USB charging cable provided by the original factory.
7. The used battery should be removed. If the robot dog is not going to be used for a long time, please remove the battery.
8. The power terminals must not be short-circuited.
9. Use a screwdriver to unscrew the screws on the battery cover of the remote control and install the battery according to the correct polarity of the positive and negative poles.
10. This product is composed of plastic, hardware and electronic components. It must not be placed or used in a damp environment for a long time. Regularly check whether the wires, plugs and body parts are damaged. If any damage is found, stop using it immediately until it is fully repaired.

APP download instructions



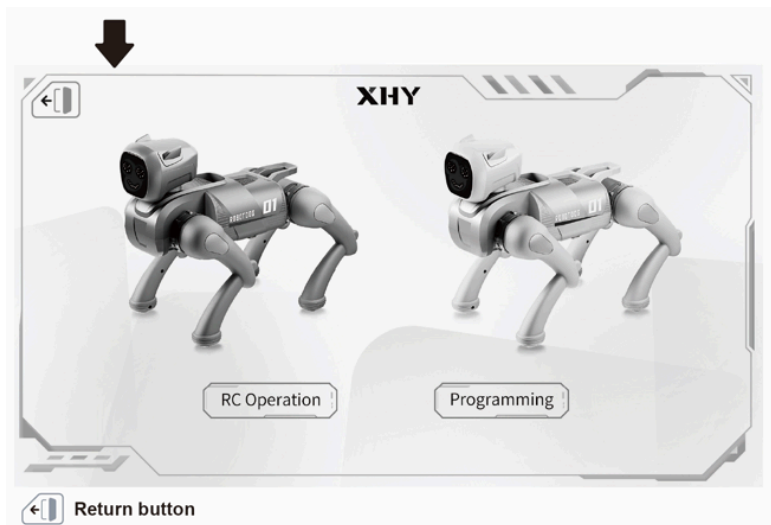
Universal APP download for both Apple and Android systems

Scan the QR code on the left to download the dedicated APP and operate.

APP usage instructions



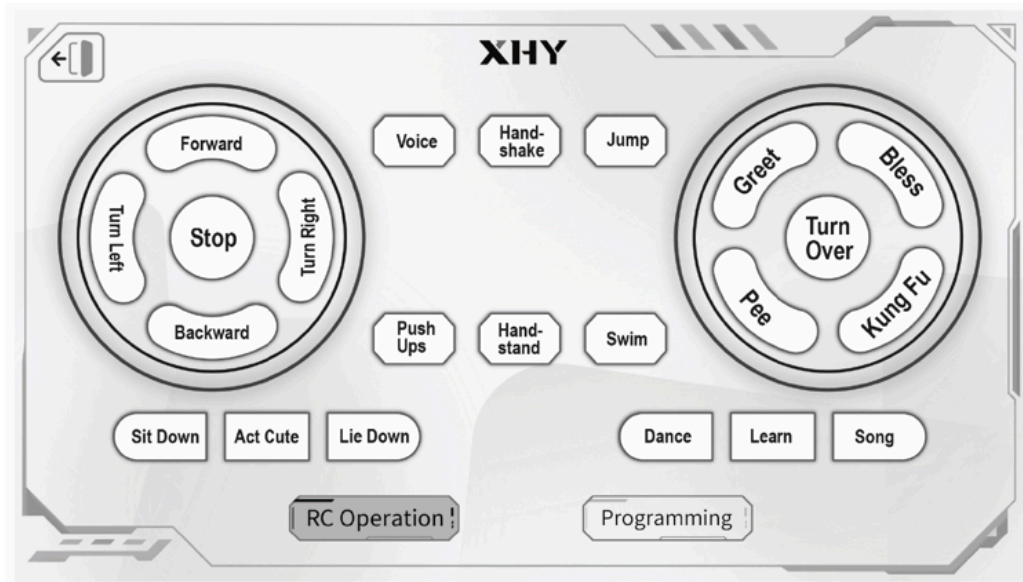
1. After successful download and installation, click on the APP icon to enter the operation interface.



2. After entering this interface, click the start button to enter the next interface.

3. Click on the remote control operation to enter the remote control operation interface, and click on the programming Settings to enter the programming Settings interface. To return to the previous level interface, click the return button in the upper left corner of the interface.

RC operation interface description



The Forward/Backward/Turn left/Turn right buttons can be pressed briefly or long, and the robot dog will make corresponding actions accordingly. Just press the other function keys briefly.

Short press the learning button to switch between different broadcast contents, and short press the song button to switch between different songs.

Voice Mode: Briefly press the voice button, and the remote control indicator light will flash rapidly to enter the voice state. The robot dog will prompt you to enter voice mode. In the voice control mode, you need to call "Lumi, Lumi" each time to wake up the robot dog. After the robot dog responds, say the words containing the voice command, and the robot dog will make the corresponding command action. During the demonstration of an action, you can call "Stop" to halt the action demonstration.

When the robot dog is demonstrating actions, pressing any button on the remote control can stop the action demonstration.

Programming settings interface description



In the programming Settings interface, you can select the action command to be executed on the right side. After clicking the corresponding action command key, the action command will be included in the display screen on the left. You can add multiple action commands in sequence. After adding, click the play key, and the robot dog will execute the action commands included in the display screen one by one. If you click the action command key on the right in the robot dog's demonstration action command, the robot dog will stop the action demonstration and re-enter the programming state. To delete action commands, you can click the delete key to remove the unnecessary action commands.

Troubleshooting guide

The robot dog won't operate

- Connection issue between the remote and dog.
 - Ensure the dog's switch is on and re-establish connection.

- Incorrect battery installation.
 - Install batteries correctly in the remote and dog.

- A rechargeable battery needs charging.
 - Charge the dog's battery. Range issues with the dog
- Low battery power in the remote.
 - Replace or recharge the batteries in the remote.

- Interference from other devices.
 - Try operating the car in a different location.

The robot dog exhibits abnormal behavior

- The dog's functions are blocked or there's a potential short circuit.
 - Reset the dog by turning the power switch off and on again to resolve temporary power issues or malfunctions.