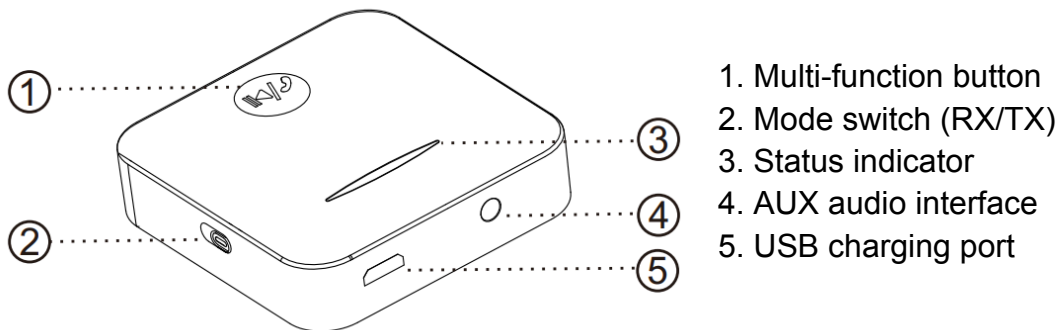


# WB5 2-in-1 Bluetooth 5.0 Bluetooth Transmitter & Receiver for TV, PC, Car



## Functional operation



### 1. Power on/off

Press and hold the multi-function button for 3 seconds for the device's power-on LED to come on.

After pressing and holding the multi-function button for 3 seconds, the device's switch-off LED will turn off.

### 2. The device automatically enters the search state for reconnection and pairing

When the device is switched on, it will automatically enter the search state for reconnection and pairing.

### 3. Automatic power-off function

The device automatically enters hibernation mode after 10 minutes when it is not connected and needs to be switched on again before it can be restarted.

### 4. Call function

When a call comes in, press the multi-function key to answer the call

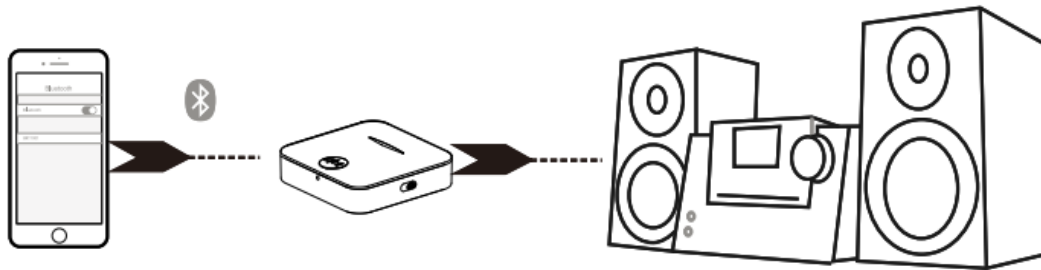
During a call, press the multi-function key to hang up

When connected, double-click the multi-function key to redial at the end of the call

**Note:** To ensure the quality of the call, please talk as close as possible to the MIC hole.

## RX mode

When this product is in RX mode, you can use the Bluetooth receive function of this product to transfer Bluetooth music from your mobile phone, computer and PAD to a device such as a stereo with an AUX audio input connector.

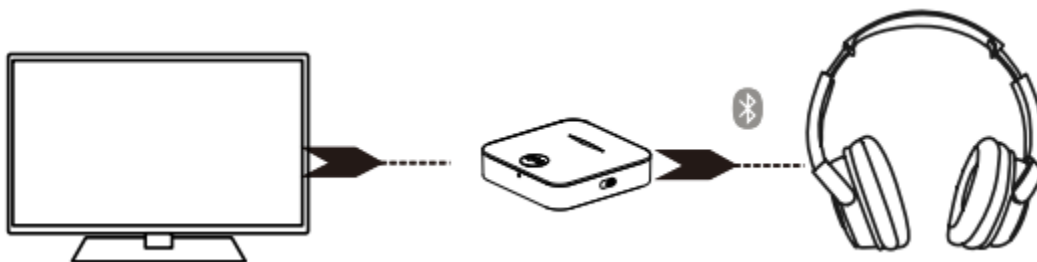


### Matching steps:

- A. Matching steps: Press and hold the multi-function button on the device for 3 seconds to switch it on, and place the mode switch on the "RX" end, the blue RX status light on the device will light up and flash quickly.
- B. Insert the 3.5MM audio cable into the headphone hole of the device and the other end of the audio cable into the audio input of the audio device.
- C. After turning on the Bluetooth function of your mobile phone or tablet, search for the Bluetooth device, select and connect the device "B5".
- D. When the connection is successful, the blue RX status indicator will flash slowly.

## TX mode

When this product is in transmit mode, it can be used with a TV and the sound can be transmitted wirelessly to a Bluetooth device (Bluetooth headset) or Bluetooth speaker.



## Steps for pairing

- A. Switch on the Bluetooth speaker or Bluetooth headset and turn on the pairing mode.
- B. Press and hold the multi-function button on the device for 3 seconds to switch it on, and place the mode switch on the "TX" end, the red TX status light on the device will be lit and flashing quickly.
- C. Connect the other end of the audio cable to the audio output port of your mobile phone, tablet, MP3, CD player, computer and TV (e.g. the output port of the device's headphones). Connect the other end to the headphone hole of the transmitter.
- D. The TX red status light flashes rapidly to indicate that it is searching for a pairable Bluetooth device. Please try to pair the product and the Bluetooth device within 1M range.
- E. After a successful pairing connection, the red TX status light will flash slowly.

### Note:

1. Different Bluetooth devices (e.g. Bluetooth headsets) will take different amounts of time to search and connect due to differences in the solutions and protocols used.
2. If the pairing connection of your device fails or you are unable to connect for a long time, please try switching it off and then switching it back on and searching again. Please also check that your Bluetooth device (Bluetooth headset) is not in a state where it is waiting to be paired.

## Charging

The product has a built-in rechargeable battery, which can be used for long periods of standby and use. When using the product, if there is a low battery alarm tone, the product needs to be recharged. (It is recommended that it is fully charged before the first use)

- A. Insert one end of the Micro USB charging cable into the charging port of the product and connect the other end to the standard USB 5V power output port (e.g. charger of mobile phone, USB port of computer).
- B. When charging, the red light will be on for a long time. When charging is complete, the red light will turn off (the charging time is approximately 2 hours).

**Note:**

1. When the battery is too low or the power supply for charging is of poor quality, there may be a disturbing murmur of current when the product is used after charging.
2. If the product is used after charging frequently, it will affect the life of the product's battery.

**Diagnosis of faults**

When you encounter the following problems, you can try to solve them using the methods described below. If you still have problems after trying? Please contact your dealer. Do not open the product to repair it yourself, as this may cause unnecessary problems!

The wireless audio receiver/transmitter is not working properly?

1. Please check that the power to the product is turned on.
2. Please insert the charger into the product to check if the product has power.
3. The working mode of this product: please correspond the status indicator with the mode switch, please use the relevant function in the corresponding mode.
4. Please check if the working mode this product is in is correct and if the 3.5MM audio cable is connected correctly.
5. In TX mode, it is not possible to connect a Bluetooth device (e.g. Bluetooth headset), you can bring the Bluetooth receiver close to the device to be connected, or turn this device back on and search again.
6. Due to the different chip solutions and transmission protocols of various Bluetooth devices, there may be a problem of not being able to pair, and we are continuously working on optimizing it.