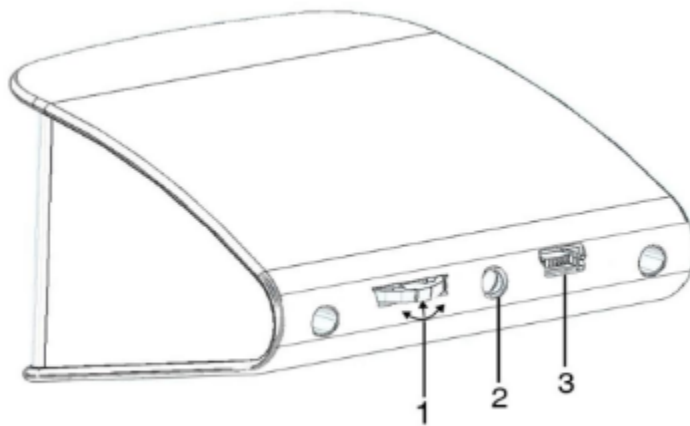


Universal Smart Digital Car HUD Speedometer T600



Specifications:

- Display size: 2.2"
- Environment temperature: -40c- + 80c
- Atmospheric pressure 86-106KPa
- Relative Humidity: 10%-95%
- Environmental noise $\leq 60\text{dB (A)}$
- Alarm sound level: $\geq 30\text{dB (A)}$
- Working voltage: 9V ~ 16Vdc (12Vdc / 400mA)
- Product size: 73*68*46(cm)
- Product Weight: 50g



1. Setting button (left, right, long press)
2. Light sensor
3. USB port

Setting button functions:

1. Vertical short press (press the dial to release)
 - Switch the display mode
 - Confirm the menu after entering into the menu
2. Push left
 - Switch the left area functions
 - Change the function setting after entering into the menu
3. Push right
 - Switch the right area functions
 - Change the function setting after entering into the menu
4. Long press
 - After entering into the menu and finishing the setting, long press in for 5 seconds to keep and exit

Push left/right to switch functions:

- VLT-Voltage; DIR-Driving direction; RTC-Local time
- TIM-Driving time; DIS-Single driving distance; ALS-Altitude
- GPS-Available satellites;

Driving test:

1. Speedup test:
 - The time used for the vehicle speed from 0-100km/h
2. Brake test:
 - The time and distance from the vehicle speed exceeding 100-0km/h

Settings:

- Long press in to enter into the setting mode, push right to choose the menu, and short press in to confirm. After finishing the setting, long press to exit.

1. Language set: CN-Chinese Simplified, TW-Chinese Traditional, EN-English
2. Sound switch: turn on/off the buzzer
3. Speed alarm: the default value is 150km/h, you can change it by pushing it left to decrease and right to increase
4. BAT alarm: the default value is 10.5V, it will alarm you when the battery voltage is lower than 10.5V
5. Speed adjust: required if there is an error (use default value $107-5=102$)
6. Speed zero setting: the vehicle speed does not return to 0 after the car stops (please adjust HUD to 6km/h)
7. Voltage error adjustment: fine-tuning when voltage is wrong instrument panel voltage
8. Change color 1: change the speed color in the main display
9. Change color 2: change the left side functions color on the screen
10. Change color 3: change the right side functions color on the screen
11. Brightness: default is auto brightness adjustment
12. Speed unit: km/h, mph
13. Power of time: no effect when the cigarette lighter is connected to the power
14. Sleep voltage: no effect when the cigarette lighter is connected to the power
15. Time adjust: When the device finds the satellite successfully, adjust the device time to your local time and exit
16. Factory set: short press to reset the setting