

User Manual for Ksix Studio Live Tripod Stand with Ring LED Light



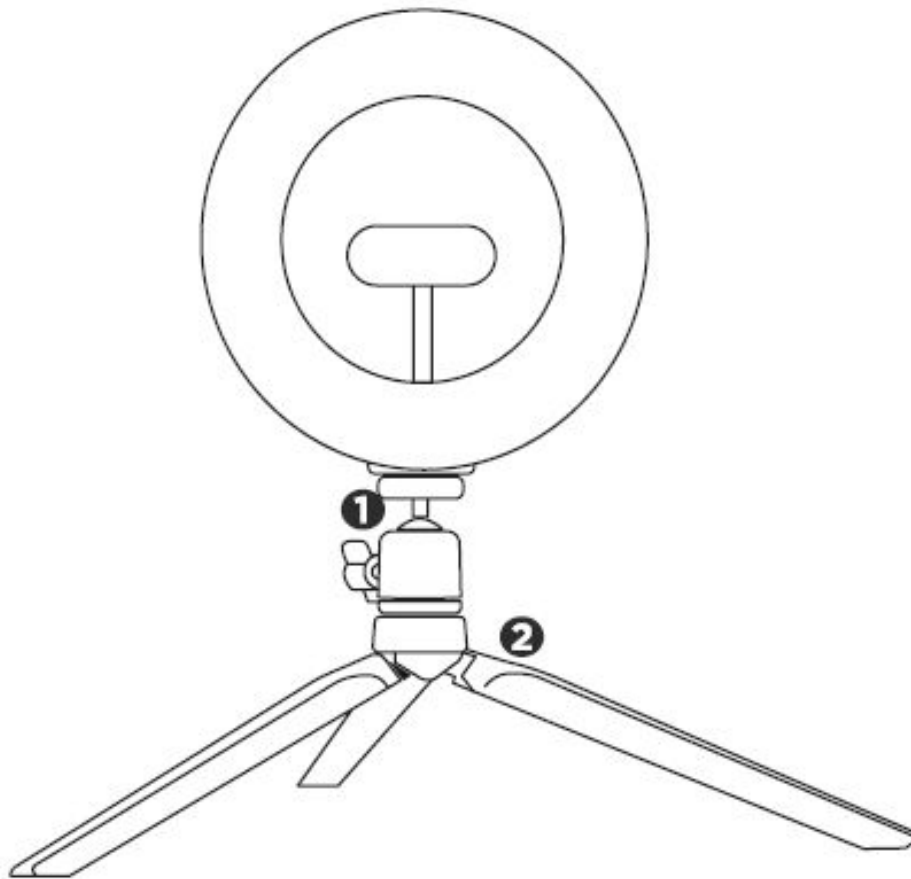
Specifications

- LED: 72 lumens
- Power: 14W
- Color temperature: 3000-5800K
- Weight: 170g
- Ring light dimensions: 20cm outer and 15cm inner diameter



1. ON/OFF button
2. Decreasing light intensity
3. Light temperature selector
4. Increasing light intensity

Fixing the ring LED light to the tripod



1. Screw the ball head to the ring LED light
2. Screw the tripod to the ball head
3. Set your smartphone on the holder and connect the ring LED light to a power source.