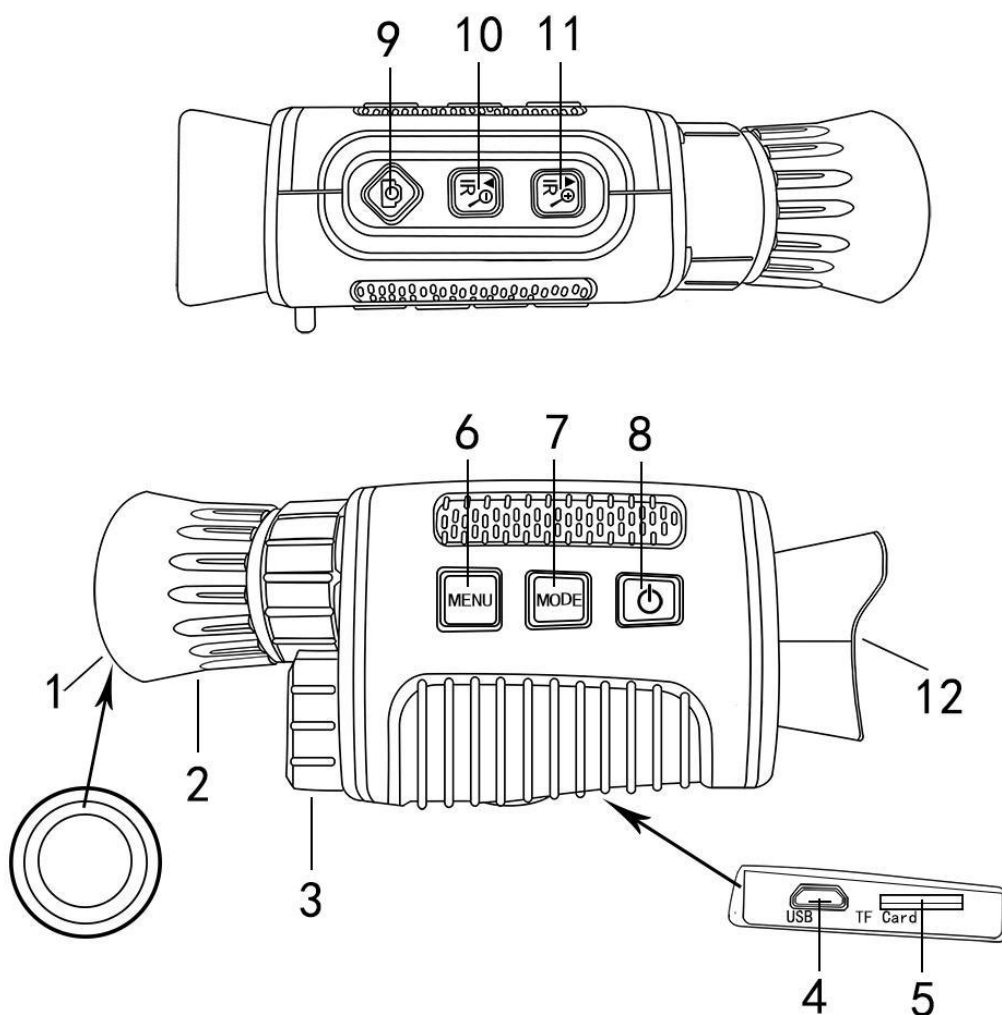


# **User Manual for Digital Hunting Monocular with Night Vision NV1000**



## Specifications

- Sensor: 12MP CMOS
- Aperture: F1.2
- Max video resolution: 1080p
- Digital zoom: 5x
- Display size: 1.5" 480x240 TFT LCD
- Supported storage: MicroSD cards up to 32GB (not included)
- Infrared LED: 3W 850nm
- Battery: 2000mAh Li-ion
- Dimensions: 150 x 70 x 46 mm
- Weight: 160g



1	Lens	7	Mode (Photo/Video/Playback)
2	Manual focus wheel	8	Power ON/OFF
3	Infrared filter cap	9	OK/ Shoot Button
4	USB port	10	IR Down/Zoom out or Down Button
5	MicroSD card slot	11	IR Up/Zoom in or Up Button
6	Menu/ESC	12	1.5 Inch Screen

## **Quick Start**

Insert Micro SD card (up to 32GB), long press Power button for 3-5s and the device will power on. After that, adjust the object clearly through the focus wheel, and press the OK button. You can now take a photo or record a video. To power off the camera, long press the Power button.

Press the Mode button to set the working mode (photo, video, playback). In playback mode, press the Shoot button to start playback, and press it again to exit playback.

Press the Menu button to open menu settings. press The IR Up or IR down button to select the setting and press the OK button to confirm. After setting up everything, press The Menu button again to exit the menu.

Short press the IR Up button to open IR LED. To increase the LED level press it again. You can increase the LED level up to 7 times. Short press the IR Down button to reduce the LED level. Keep pressing the IR Down button until you reach the lowest LED level and then press again to turn it off.

Long press the IR Up button to zoom in (max zoom 5X). Long press the IR Down button to zoom out. For the objects that are far away adjust the clarity using the focus wheel. Press the Shoot button to take a photo or record a video record and save it to the microSD card. Please note that if you turn on the IR LED, you can't zoom in or out. You need to close the IR LED first.

To charge the camera, connect it to a DC 5V adapter or Power Bank with a USB cable.