

Escam QF290 Waterproof Solar-Powered Security Camera

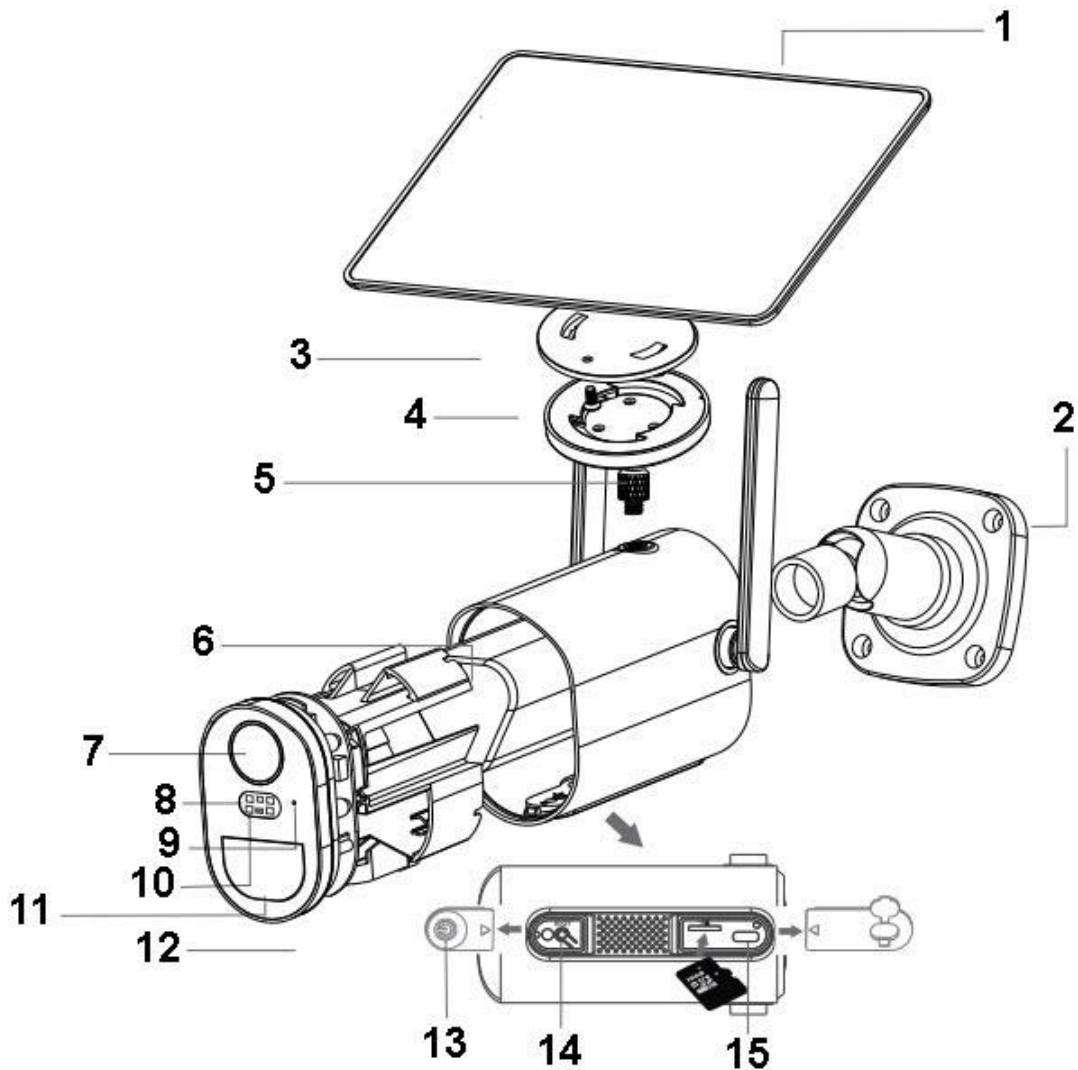


Specifications:

- Sensor: 2MP
- Connectivity: WiFi
- Lens camera angle: 105 degrees
- Compression: H.264+, H.265
- Video resolution: 1920x1080
- Night Vision: Full color night vision: 0,001Lux
- Alarm detection mode: PIR, dual radar detection
- Detection distance: up to 12m
- Angle of detection: 105 degrees
- IR LED range: 20m
- White LED range: 20m
- Speaker power: 2W
- Voice monitoring distance: 20m
- Storage: cloud, MicroSD (up to 128GB)
- Solar panel power: 3.8W
- Battery capacity: 14400mAh
- Standby consumption: 0,003W
- Operating temperature: -30 - 60 degrees Celsius
- Protection rating: IP66
- Supported smartphone OS: Android, iOS

Product overview

1. Solar panel
2. Wall mount
3. Socket hexagon screw
4. Universal bracket
5. Screw
6. Battery
7. Lens
8. Infrared & white LED
9. Microphone
10. Photosensitive
11. PIR
12. Silicone flap
13. Power on/off
14. Reset
15. USB charging port



Quick setup

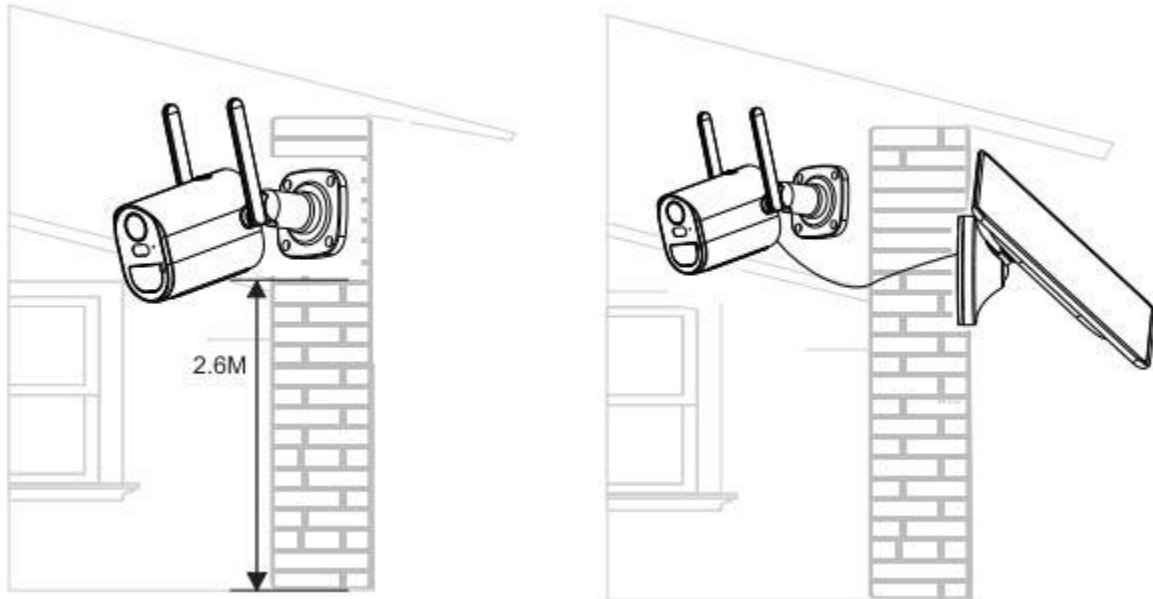
- Insert the USB cable of solar cable into the USB port on the bracket base for battery charging
- Press the power switch to turn on/off the camera
- Wait for the voice prompt step by step for pairing the camera with the App

Note

- Before you turn on the camera, please close the silicone flap to avoid rain leakage
- Make sure your phone is connecting to the 2.4GHz WiFi first before you pair the camera

Installation

- You can choose between two solutions: integrated (left pic.) and separated installation (right pic.)



App installation

- Scan the following QR code or download UBox from App Store or Google Play to install the app.



IOS



Android

- Open the app then input your email address then press "Register". Check and select to agree with the agreement, you will get an email with a verification code (if you did not find the mail, please open the spam box). We recommend all permissions to avoid missing any notifications.
- Input the verification code and press next.
- Set the login password and confirm it, then click next.
- Enter your email and password, then press Login.

WiFi connection

- Press "Add Family" then set the room or position.
- Enter your family name and then press Next.
- Input the necessary information like Country, Province, then press Done.
- Press "Add a device" to add your smart device.
- Connect the device to the power supply, and make sure that your phone is connected to an available WiFi, then press "Setup device".
- Power it on, and wait for the blue LED and voice prompt, which means that your device is in pairing mode.
- If you did not hear the voice prompt, please press the Reset button until the blue LED light up and then release. The device will reboot and enter the pairing mode.
- The app will input the WiFi name automatically, please input the correct WiFi password. Then you can choose between the QR code configuration or the Sound wave configuration.
- Select the family name or device location then press Done.
- Setup success, it is ready to use.

Sound wave configuration

- Make sure that camera and phone are within 1m distance, you will hear the wave sound DI DI, follow the tips shown in the phone to finish the configuration.

QR code configuration

- Select the QR code configuration then the phone displays a QR code. Use the device to scan the QR code 10cm away from the phone.