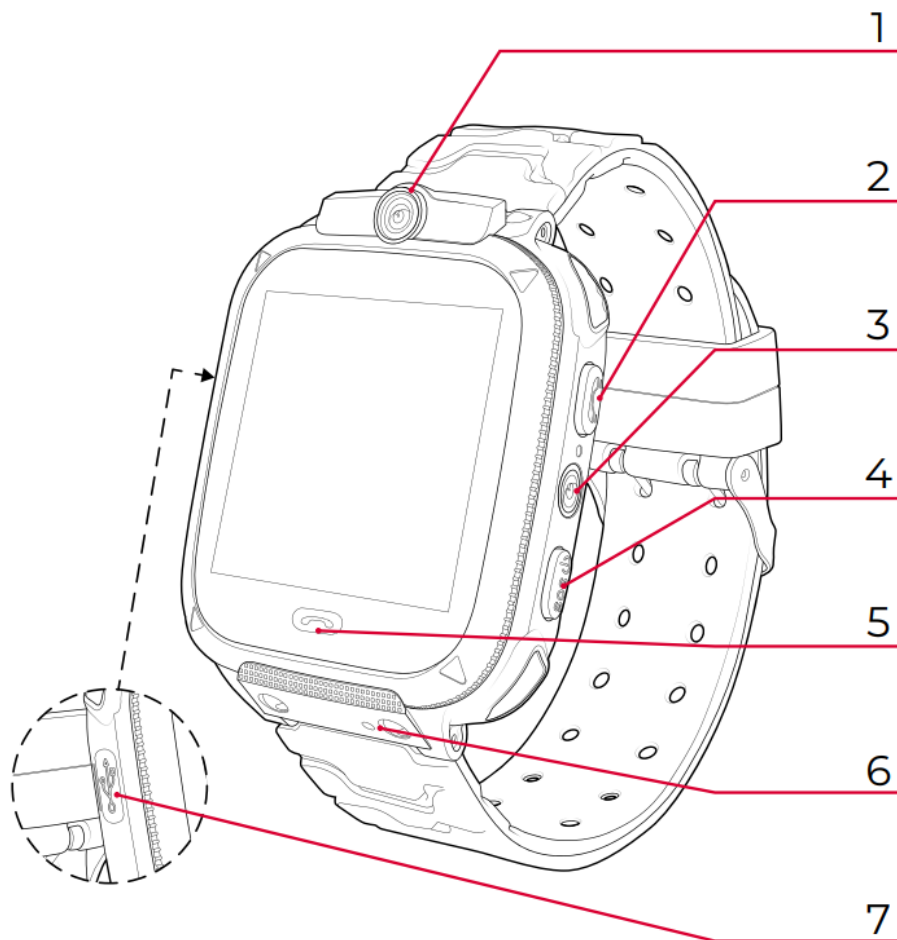


User Manual for Maxlife MXKW-300 Smartwatch for Kids



Specifications

- Display: 1.44", 128x128 px, touchscreen
- Standby time: up to 2-3 days
- Charging time: approximately 2 hours
- Strap length: 230 mm
- Battery: 400mAh (lithium-polymer)
- Microphone and speaker: built-in
- Sim card: micro-SIM
- Supported OS: iOS 8.0 and above, Android 5.0 and above



1. Camera
2. Answer a call/Turn on the flashlight
3. Flashlight
4. Power on/SOS button/Return to the main screen
5. Answer a call
6. SIM card slot
7. MicroUSB charging port

Charging and installing the SIM card

It is recommended to use a charger of output parameters of 5V 1A. The total charging time of the watch is approximately 2 hours. Open the plug protecting the microUSB port, connect the included microUSB cable, and connect the device to a power source.

Always make sure your watch is turned off before inserting or removing the SIM card. Open the back cover of the smartwatch by gently prying it at the top and sides until the latches are unfastened. Remove the battery taking care not to damage the battery cables and remember its position. Open the micro SIM card cover by sliding it slightly to the right, and then insert the SIM card into the slot in such a way that the sim card chip is facing upwards to the watch screen. Then close the lock by sliding to the left. Place the battery in the watch in its original position, then close the back cover by pressing the latches.



1. The home screen shows the current date and time as well as the battery level. On this screen, we also see the icon for connecting to the mobile network.
2. Enables you to make a phone call by manually entering the number.
3. The phone book gives you access to 10 contacts defined using the application.
4. Allows you to take a photo that will be saved in the album.
5. Access to the last photo taken. You can preview, send or delete it. Each subsequent photo taken overwrites the previous one.
6. A simple math game with three levels.
7. It allows you to send voice messages and receive text and voice messages.
8. Start the flashlight built into the watch.
9. Read the registration QR code for the device and the application QR code.

SeTracker app

Search for the “SeTracker” app in Google Play or App Store. Download and install it. In the registration window, enter your email address, password, and the area of use of the watch. Then enter or scan the watch code (REG CODE) found on the bottom of the box and on the watch.

Chat: Send a text or voice message to the watch by typing it on the keyboard or recording it using the phone’s microphone. You can also listen to the voicemails sent from the watch here.

Route: select the date and time slot to display the traveled route.

Map: Select the map icon to view the current location of the watch.

Safety zone: designate a safety zone, when the watch will found outside the selected zone, you will receive a notification from the app.

Reward: Select the number of rewards you want to send to your child. After approval, the information about the award will be sent to the watch.

Alarm clock: alarm clock settings. Set the desired time and frequency of repeat.

Find Watch: Select a feature to find your device if it’s near you. The watch will ring to inform you of its location.

Notifications: This is where you get and preview any notifications and alarms you receive from the watch.

Remote camera: take a photo using the watch camera and receive it on your phone. The captured image appears after a certain waiting time, depending on the signal strength of the cellular network.

My profile:

- Personal data: Your account settings
- Device list: Add, edit, or remove connected devices
- Change Password: Change the password for your account.

SOS numbers: When the user press and holds the SOS button, the watch makes an automatic emergency call to three contacts defined on the list.

Voice monitoring: Enter the phone number to be called from the watch in order to listen to its surroundings. Pick up the call and check what’s happening nearby. The user of the watch has no notification that such a call has been made.

Do not disturb: Select the time during the day when the user of the watch will not receive phone calls.

Location mode: Select normal mode - refreshing the watch’s location once every ten minutes, power saving - once every hour, tracking - once every minute.

SMS notifications: Enter the number to which you want to receive SMS notifications about events such as low battery levels, triggering the SOS alarm using the watch button.

Phone book: Define up to ten contacts that the watch user will have in the phone book.

Time zone: Set your time zone so that the device can show the correct date and time.

Language: Choose a language for your device.

Settings switch: Enable or disable the watch function.

LBS Location: Enable or disable location using the network operator's antennas.

Turn off the watch remotely: The watch will be turned off.